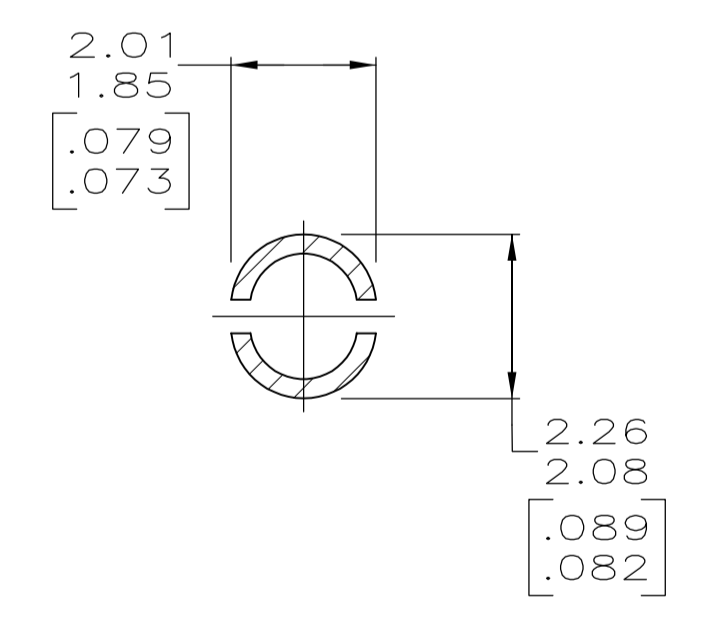
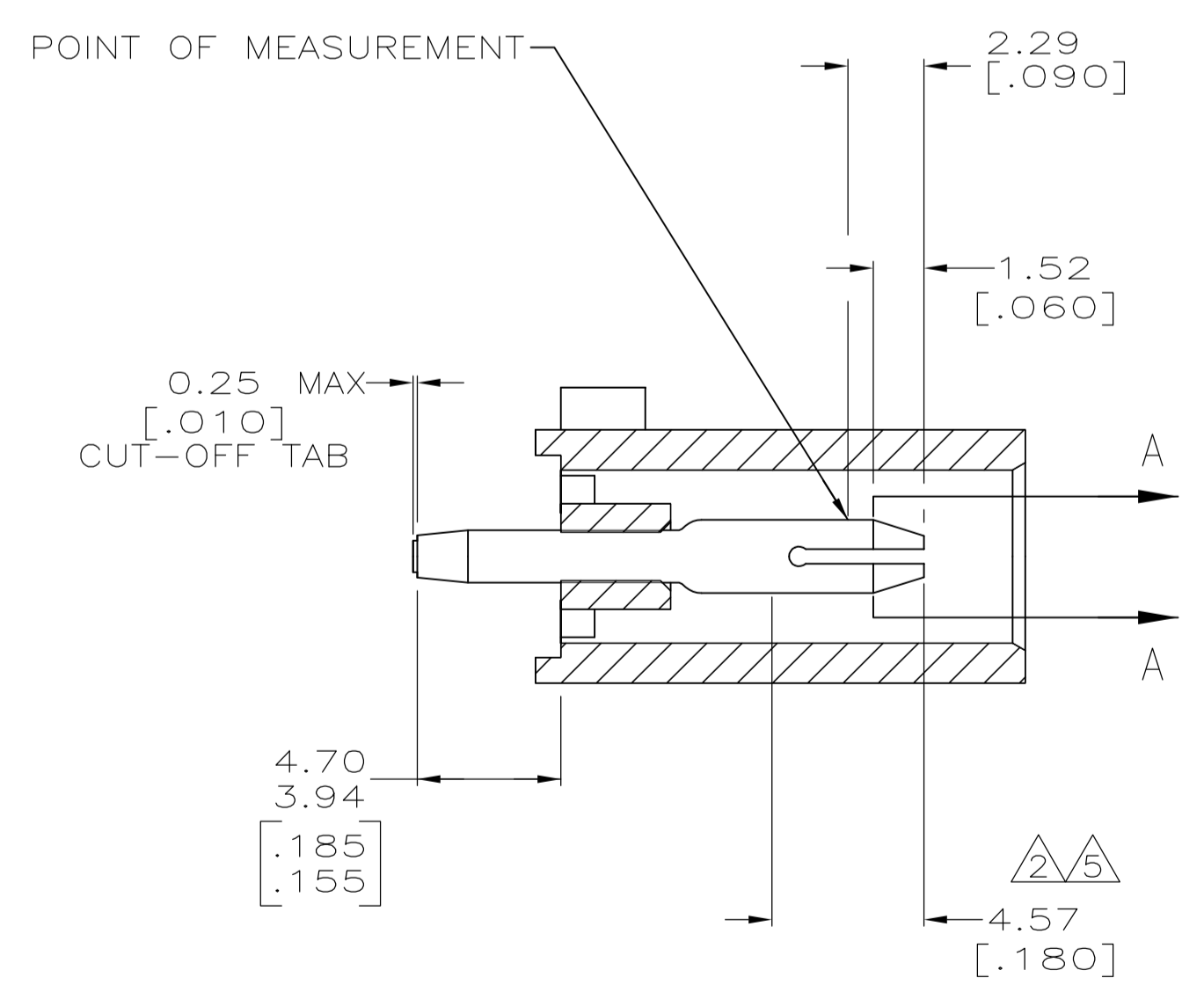
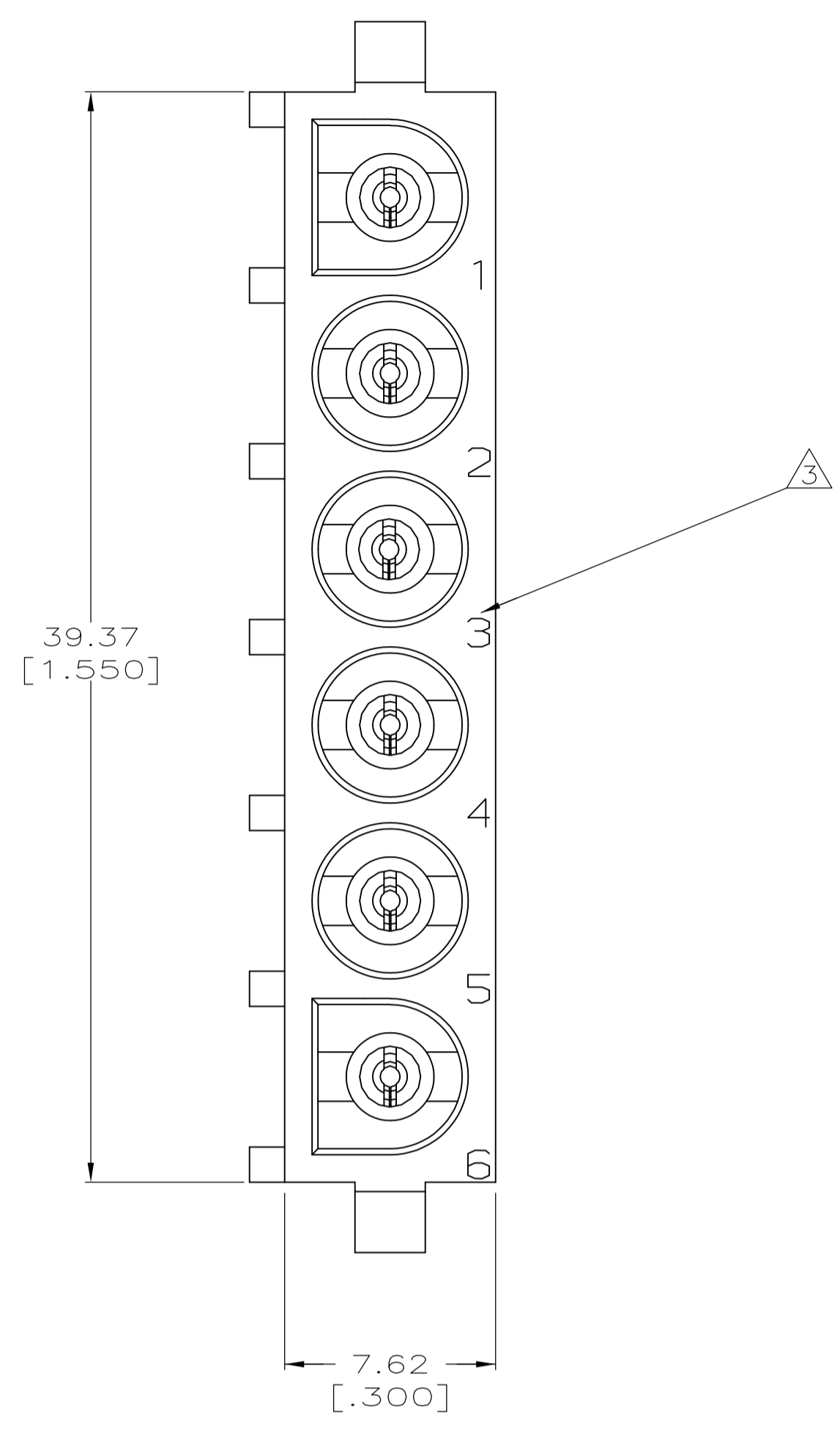
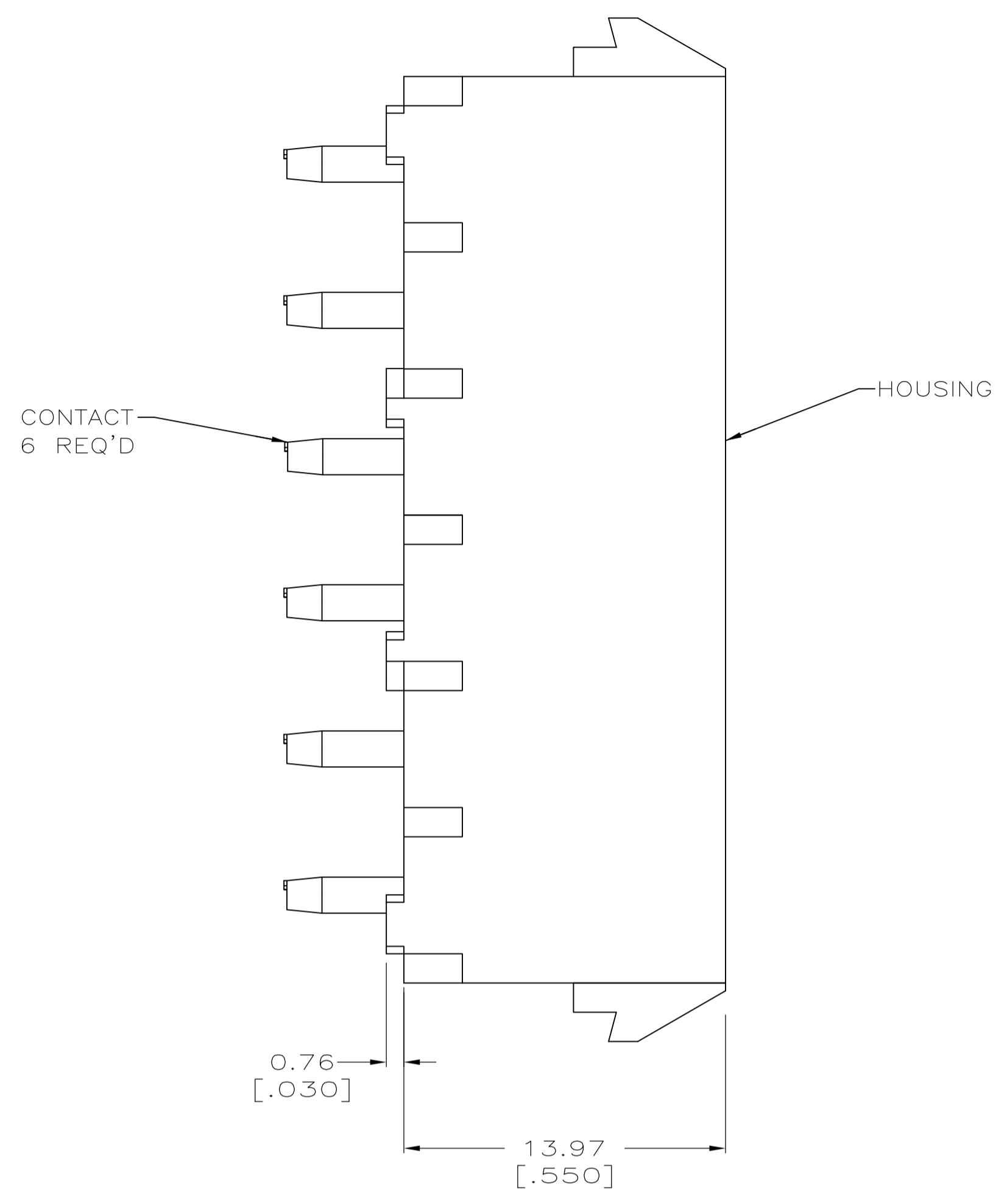
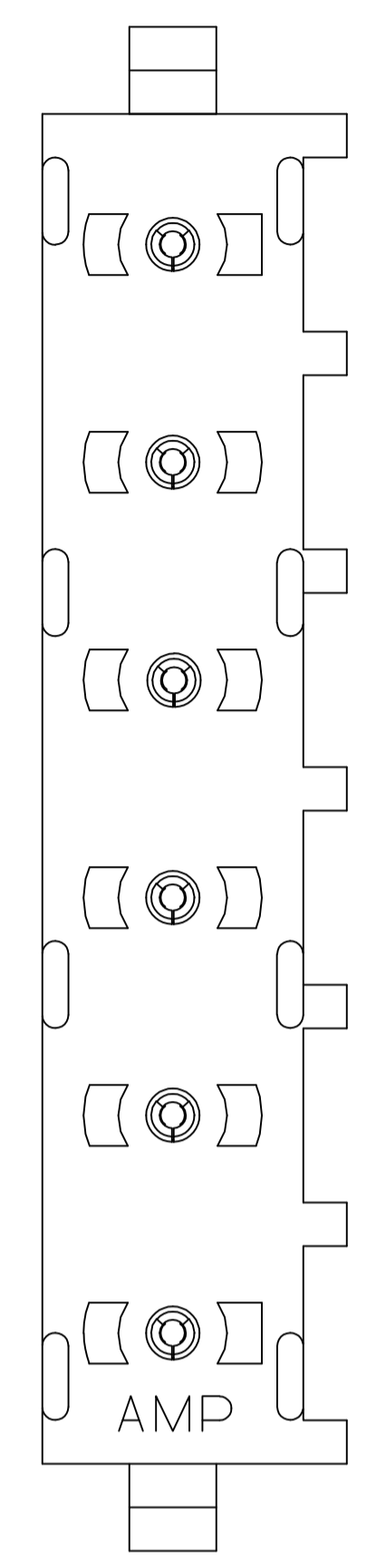
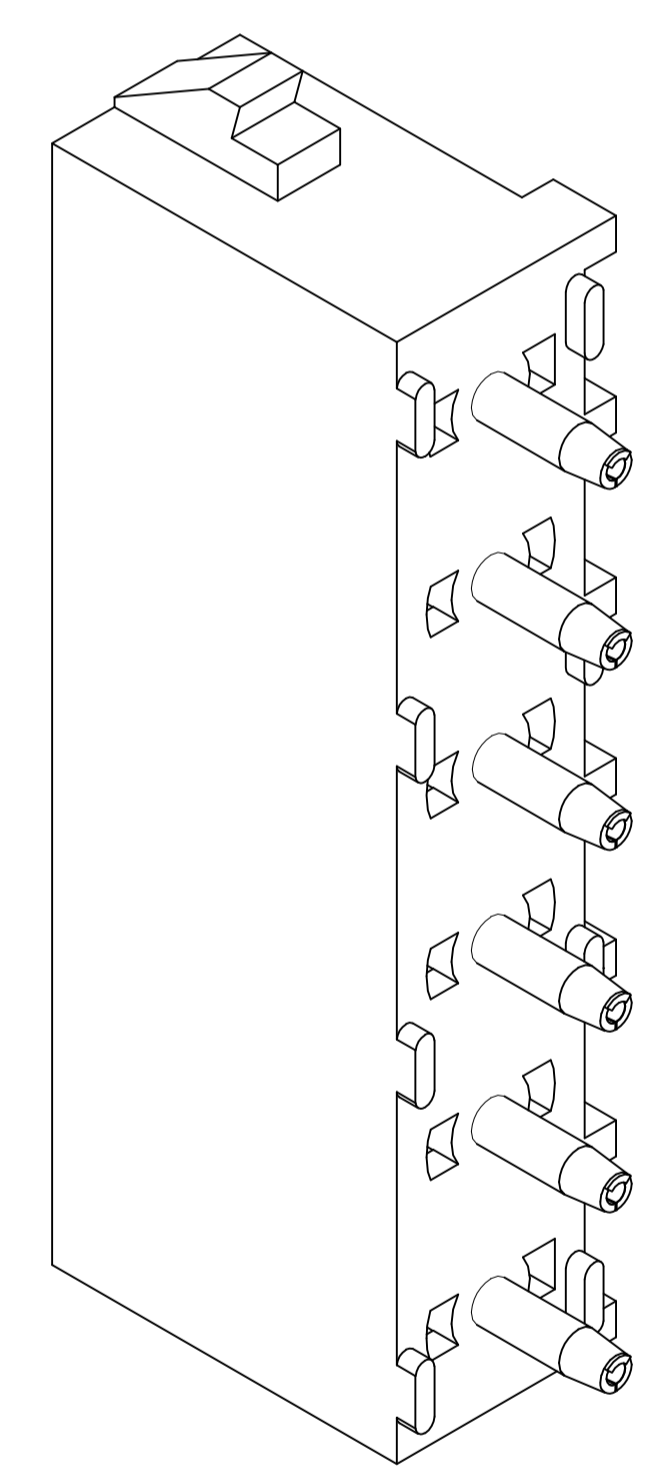


LOC		DIST		REVISIONS			
P	LTR	DESCRIPTION	DATE	DMN	APVD		
M1		ECO-07-017257	09AUG07	KW	DC		

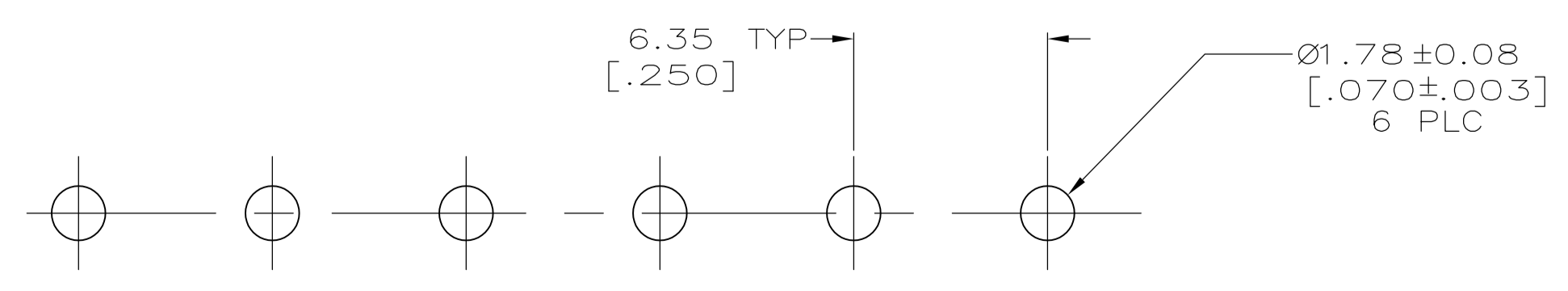
- PARTS COMPLY TO AMP SOLDERABILITY SPECIFICATION 109-11-3.
- CONTACT IS PLATED OVERALL WITH 0.00127 [.000050] NICKEL, THEN 0.00076 [.000030] GOLD OVER CONTACT LENGTH INDICATED AND MATTE TIN LEAD ON SOLDER TAIL END.
- CIRCUIT IDENTIFICATION CHARACTERS ARE ADJACENT TO THE INDICATED CAVITIES, BUT LOCATION AND ORIENTATION MAY DIFFER FROM PRINT.
- DIMENSIONS IN BRACKETS ARE IN INCHES.
- CONTACT IS PLATED OVERALL WITH 0.00127 [.000050] NICKEL, THEN 0.00076 [.000030] GOLD OVER CONTACT LENGTH INDICATED AND MATTE TIN ON SOLDER TAIL END.



SECTION A-A
SCALE 10:1

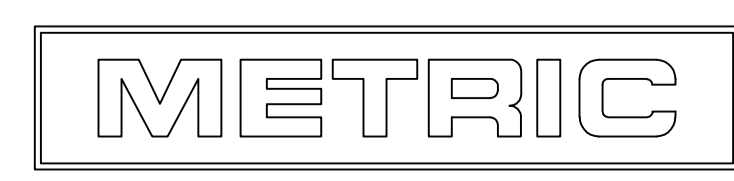


3-DIMENSIONAL MODEL NTS



RECOMMENDED MOUNTING HOLE PATTERN FOR 1.57 [.062] THICK P.C. BOARD

PIN CONTACT MATERIAL AND FINISH	HOUSING MATERIAL	PART NUMBER
PHOSPHOR BRONZE, PRE-TIN	NYLON,UL94V-0,BLUE	1-641831-6
PHOSPHOR BRONZE, PRE-TIN	NYLON,UL94V-0,RED	1-641831-2
PHOSPHOR BRONZE, GOLD	NYLON,UL94V-0,WHITE	641831-3
PHOSPHOR BRONZE, GOLD	NYLON,UL94V-0,WHITE	641831-2
PHOSPHOR BRONZE, PRE-TIN	NYLON,UL94V-0,WHITE	641831-1



THIS DRAWING IS A CONTROLLED DOCUMENT.		DIN 9139 10-05-98	Tyco Electronics Corporation Greensboro, NC 27409	
DIMENSIONS: mm [INCHES]		10-05-98	Tyco Electronics Corporation	
TOLERANCES UNLESS OTHERWISE SPECIFIED:		10-05-98	Tyco Electronics Corporation	
0 PLC	± -	10-05-98	Tyco Electronics Corporation	
1 PLC	± -	10-05-98	Tyco Electronics Corporation	
2 PLC	± 0.13 [.005]	10-05-98	Tyco Electronics Corporation	
3 PLC	± -	10-05-98	Tyco Electronics Corporation	
4 PLC	± -	10-05-98	Tyco Electronics Corporation	
ANGLES	± 0°30'	10-05-98	Tyco Electronics Corporation	
MATERIAL	SEE TABLE	FINISH	SEE TABLE	WEIGHT
CUSTOMER DRAWING		SCALE	5:1	SHEET 1 OF 1
APPROVED		DATE	10-05-98	REV M1
DRAWING NO.		A1 00779		641831